



Long-Range Curtains - PRO-100, 100H & 250H

This line of intrusion detectors is the most effective and advanced family of narrow curtain, long-range motion detectors on the market today. All detectors feature telescope-like precision mirror glass optics, digital signal processing and continuous, gap-free curtain coverage for an exceptional mounting height of up to 4 metres (13 ft).

Why ADPRO by Xtralis?

- ▶ The lowest nuisance alarm rates
- ▶ Remote access for configuration and management (via databus)
- ▶ Unique anti-vandal feature to detect changes in detectors alignment
- ▶ 4 metre (13 ft) mounting height for minimal risk of vandalism
- ▶ Integrated wall-mount bracket
- ▶ Wide power supply range 10.5 to 30 V DC or 24 V AC (auto-sensing)
- ▶ Low installation and maintenance cost

Application:

- ▶ Outdoor perimeter and area detection
- ▶ Fence-line protection
- ▶ Proactive video surveillance
- ▶ Providing reliable detection for remotely monitored and detector activated CCTV systems for maximum Central Monitoring Station profitability
- ▶ Conditional triggering of CCTV, PTZ and dome cameras
- ▶ Conditional triggering of video-switchers for event-driven CCTV

Accessories:

- ▶ Configuration and commissioning software
- ▶ IF 485B detector-to-PC interface
- ▶ CT 45 cordless walk-tester
- ▶ AD 851 alignment help telescope for detectors with curtain-shaped coverage
- ▶ AD 653 bracket for PRO-250H
- ▶ ZA P-L1 pole mount bracket



Medium-Range Curtains - PRO-45, 45H, 45D & 45DH

ADPRO medium-range detectors feature narrow curtain coverage and are the ideal choice for monitoring any perimeter section that is too short for long-range curtains. The award-winning directional detectors (PRO-45D, PRO-45DH) can be configured to trigger an alarm only if an intruder crosses the curtain in a specified direction or bi-directionally. They feature the lowest possible nuisance alarm rate in either configuration compared to standard curtains.

| | |
|--|--|
| ▶ Range: 50 - 60 m (165 - 200 ft) | ▶ Two-way RS 485 communication |
| ▶ Weatherproof housing with integrated mounting hardware | ▶ Directional discrimination (PRO-45D, PRO-45DH) |
| ▶ Heated precision mirror optics on all "H" versions | |



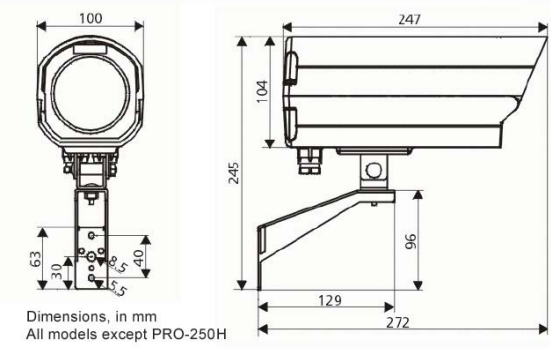
Volumetric Coverage - PRO-18, 18W, 18WH, 18H, 30, 40, 50, 85 & 85H

ADPRO volumetric detectors are designed to monitor the inside of a perimeter. The PRO-85 and PRO-85H long-range versions feature three independent detection zones that can be configured individually.

| | |
|--|--|
| ▶ Range: 21 - 75 m (70 - 250 ft) | ▶ Two-way RS 485 communication |
| ▶ Weatherproof housing with integrated mounting hardware | ▶ Models with various opening angles of 15° to 90° |
| ▶ Heated precision mirror optics on all "H" versions | |

ADPRO Passive Infrared Outdoor Intrusion Detector Reference Chart

| DETECTOR OVERVIEW | | | | | | | |
|--|-------------------------------|-------------------------------|----------------------------------|-------------------------------|-------------------------------|--------------------------------|------------------------------------|
| Overview curtain models | Medium-range curtain | | Directional medium-range curtain | | Long-range curtain | | Long-range curtain Steep look down |
| Detector | PRO-45 | PRO-45H | PRO-45D | PRO-45DH | PRO-100 | PRO-100H | PRO-250H |
| Coverage L x W (H-Version) | 50 m x 3.3 m (165 ft x 11 ft) | 60 m x 3.9 m (200 ft x 13 ft) | 50 m x 3.6 m (165 ft x 12 ft) | 60 m x 4.2 m (200 ft x 14 ft) | 120 m x 2.7 m (400 ft x 9 ft) | 150 m x 3.3 m (500 ft x 11 ft) | 150 m x 3.3 m (500 ft x 11 ft) |
| Optics | Segmented Precision Mirror | | Segmented Precision Mirror | | Precision Glass Mirror | | Precision Glass Mirror |
| Side View Standard Version (H-Version) | | | | | | | |
| Top View, Width at Nominal Range Standard Version (H-Version) | | | | | | | |



| Overview volume models | Volumetric Wide-Angle | | Volumetric Medium-Range | | | | Volumetric Long-Range | | |
|--|-----------------------------|------------------------------|-----------------------------|------------------------------|------------------------------|------------------------------|-------------------------------|------------------------------|------------------------------|
| Detector | PRO-18W | PRO-18WH | PRO-18 | PRO-18H | PRO-30 ¹ | PRO-40 ² | PRO-50 | PRO-85 | PRO-85H |
| Coverage L x W (H-Version) | 21 m x 24 m (70 ft x 80 ft) | 27 m x 30 m (90 ft x 100 ft) | 24 m x 21 m (80 ft x 70 ft) | 30 m x 27 m (100 ft x 90 ft) | 30 m x 20 m (100 ft x 65 ft) | 40 m x 10 m (130 ft x 33 ft) | 50 m x 30 m (165 ft x 100 ft) | 60 m x 18 m (200 ft x 60 ft) | 75 m x 23 m (250 ft x 75 ft) |
| Optics | Segmented Precision Mirror | | Segmented Precision Mirror | | | | Precision Glass Mirror | | |
| Side View Standard Version (H-Version) | | | | | | | | | |
| Top View, Standard Version (H-Version) Width at Nominal Range | | | | | | | | | |

| Technical Data | Standard versions | H versions |
|---------------------------|---|---|
| Supply Voltage | 10.5 - 30 V DC or 24 V AC (±15%) (auto-sensing) | |
| Current (not activated) | 18 mA @ 12 V DC, 10 mA @ 24 V AC | Standard specs. plus heating power @ -40°C (-40°F) max. 2 W |
| Alarm Relay Output | 1 SPST 30 V DC, max. 100 mA | |
| Transistor Open Collector | 1 NPN 30 V DC, max. 50 mA | |
| Cover Switch | 30 V DC, 100 mA | |
| Front Window | PE Filter, IR Transmissive | Silicon wafer |
| Operating Temperature | -20 to 60 °C (-4 to 140 °F) | -40 to 60 °C (-40 to 140 °F) |

- All Units comprise the following:
- ▶ Heavy duty weatherproof housing
 - ▶ Mounting height 2.5 to 4 metres (8 to 13 ft)
 - ▶ Integral wall mounting brackets on all models (except PRO-250H)
 - ▶ High precision mirror optics
 - ▶ Silicon wafer window (H-versions only)
 - ▶ Digital signal processing
 - ▶ Data port
 - ▶ Continuous gap free curtain coverage (curtain models only)

Notes:
¹ Use PRO-18H as H-version of PRO-30
² Use PRO-45H or PRO-45DH as H-version of PRO-40